

iVario[®] Pro L
iVario[®] Pro XL

Original installation manual



Unit handover

Dealer:	Installer:

Specify for all queries:

Unit type:	
Unit no.:	
Your unit was checked by (name):	

Table of contents

1 Introduction	5
1.1 Information on this manual	5
1.2 Target group	5
1.3 Copyrights	6
1.4 Conformity	6
1.5 Liability and warranty provisions.....	6
1.6 Identification of the unit	7
2 Safety	10
2.1 Warning symbols.....	10
2.2 General safety instructions	10
2.3 Intended use.....	11
3 Product description	12
3.1 Unit description	12
3.2 Technical data	12
3.2.1 Unit weight.....	13
3.2.2 Unit dimensions	14
3.2.3 Pan measurements.....	15
3.2.4 Thermal load.....	16
4 Transport	17
4.1 Lifting points on the unit.....	18
4.2 Transport without pallet.....	20
4.3 Transport with pallet	22
4.4 Transporting without a pallet with a pallet truck	23
5 Placement	24
5.1 Minimum clearance to unit	24
5.1.1 Distance to walls	24
5.1.2 Distance to heat sources.....	25
5.1.3 Distance to water sources.....	26
5.2 Stand the unit up.....	27
5.3 Align the unit.....	28

5.4	Align unit without electrical current.....	31
5.5	Fixing the unit in place	34
6	Electrical connection	35
6.1	Regulations for electrical connection	35
6.2	Open the electrical compartment	36
6.3	Connecting the equipotential bonding	39
6.4	Connect the unit to the mains.....	39
6.5	Connect the unit to the mains.....	41
6.6	Connect the unit to the mains for Demo mode.....	41
6.7	Close the electrical compartment	41
6.8	Power ratings of different voltage types.....	42
6.9	Check the function of the socket in the unit.....	44
6.10	Unit options	46
7	Network connection	47
7.1	Notes on network connection	47
7.2	Connecting the unit to the network.....	47
8	Water connection	48
8.1	Regulations for water connection	48
8.2	Connecting water inlet.....	49
9	Waste water connection	50
9.1	Regulations for waste water connection.....	50
9.2	Connect waste water drain.....	51
10	Decommissioning.....	53
10.1	Notes on decommissioning.....	53
10.2	Disposal	53
11	Options	54
11.1	Positioning options.....	54

1 Introduction

1.1 Information on this manual

This document is a preliminary version of the installation manual. Please note the relevant version and date.

This document is part of the unit. Read the manual prior to installation. The manual is there to ensure that you use the unit safely and install it properly.

The illustrations in this manual are examples only and may differ from the unit.

This manual applies to the following devices:

- iVario Pro L
- iVario Pro XL

Storage

Keep the installation manual and operating instructions close to the unit. The installation manual must be accessible for professionals authorised by the manufacturer at any time during service calls.



Distribution.

This installation manual must be passed on to the owner of the unit.

Explanation of symbols

- ✓ A condition states all of the requirements that need to be met before the unit can be used.
- 1. One action step describes an action to be performed by the reader.
 - > It expresses a successful interim result.
- 2. Another action step.
- >> The result reflects the outcome of the action.

Explanation of the stickers on the unit

	Symbol for potential equalisation according to IEC 60417-5021
	Symbol for dangerous voltage according to IEC 60417-5036

1.2 Target group

- This document is intended for skilled technicians, who have been certified by the manufacturer after attending training and safety instructions.
- Installation, inspection, maintenance, and repair work must only be carried out by trained technicians.

- It is recommended that only technicians authorised by the manufacturer perform inspection, maintenance and repair work.
- The unit may not be used, cleaned, or maintained by children. The unit may not be used for play. This is prohibited even under supervision.
- The unit may not be used, cleaned, or maintained by people with limited physical, sensory, or mental capacity or those without the necessary experience or knowledge, unless such people are supervised by a person who is responsible for their safety and who has been informed of the hazards of the unit.
- In order to prevent accidents or damage, the manufacturer recommends that technicians attend training and safety instructions.

1.3 Copyrights

Forwarding product-specific information to third parties is prohibited. We reserve the right to make technical developments and changes in the interest of progress. All rights, including to translation and duplication, are reserved.

1.4 Conformity

Conformity refers to the unit as a whole at the time of delivery. The operator is responsible for ensuring extended conformity following any expansions, modification and connection of additional functions.

Observe the corresponding local and country-specific standards and regulations regarding the installation and operation of commercial cooking appliances.

Conformity Europe

- The electricity connection has been constructed and tested according to IEC 60335 in consideration of EN 60335 and VDE 0700.
- The water connection has been constructed and tested according to IEC 61770 in consideration of EN 1717, DIN EN 13076 and EN 13077.
- The drain connection meets the requirements of the applicable provisions pursuant to SVGW/SSIGE and has been tested and certified accordingly.
- The unit is approved for use at altitudes up to 4,000 m pursuant to IEC 60335.

Conformity USA and Canada

- The unit is tested and built according to UL-197 and NSF 51 standards.

1.5 Liability and warranty provisions

Liability

Installations and repairs not carried out by professionals authorised by the manufacturer or not using original service parts, and technical modifications to the unit, which are not approved by the manufacturer, may void the manufacturer's product liability.

Warranty

Damage occurring as a result of non-compliance with this installation manual is excluded from the warranty.

The following are also excluded from the warranty:

- Damage resulting from improper use, installation, maintenance or repair
- Use of the unit for purposes other than those for which it is intended
- Modifications or technical alterations to the unit not authorised by the manufacturer
- Use of non manufacturer-original service parts

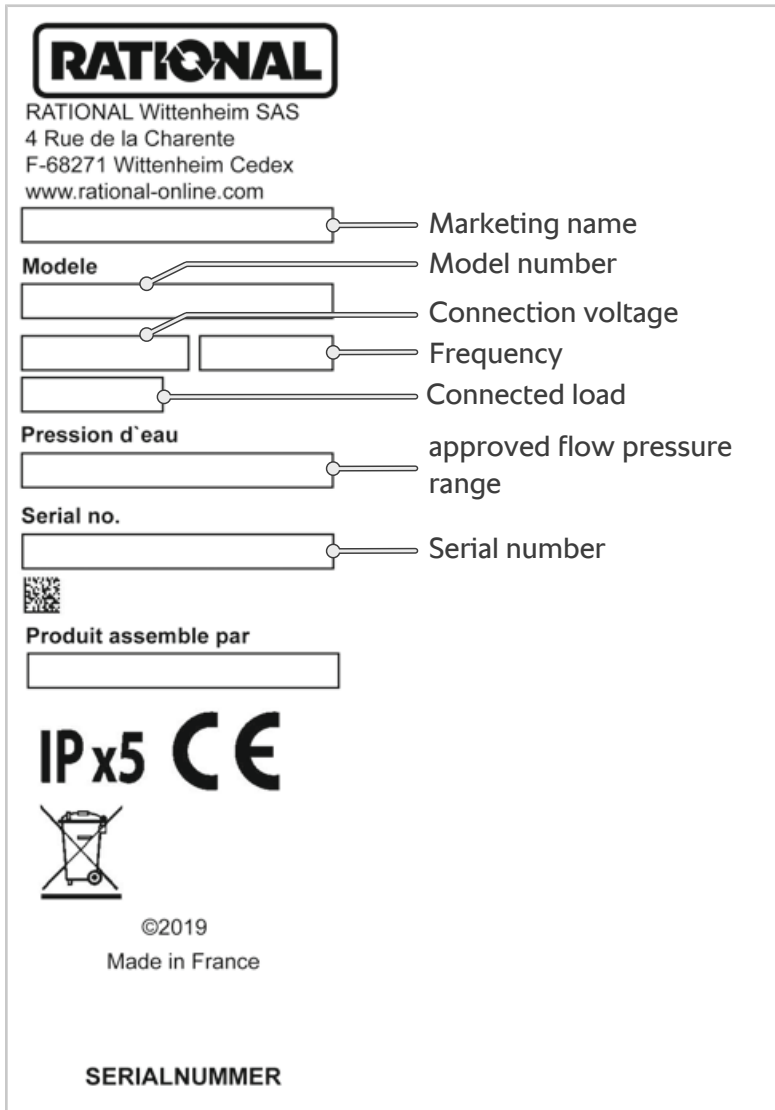
1.6 Identification of the unit

Type plate

The type plate is located on the basic frame of the unit between the pan and electrical compartment.



The type plate contains the following information:



Unit type and model number

Take the classification from the table below.

The name of the unit type and the model number are different on the type plate. Depending on the unit option, the model number on the type plate expands to further areas.

Unit size type plate	Unit size
LMX.100CE ...	iVario Pro L
LMX.200CE ...	iVario Pro L with pressure option
LMX.100DE ...	iVario Pro XL
LMX.200DE ...	iVario Pro XL with pressure option

2 Safety

2.1 Warning symbols

 DANGER
Type and source of danger Non-compliance will lead to very serious injury or death. Preventative measures
 WARNING
Type and source of danger Non-compliance can lead to serious injury or death. Preventative measures
 CAUTION
Type and source of danger Non-compliance can lead to minor or moderate injuries. Preventative measures
NOTICE
Failure to heed the NOTICE can lead to damage to the unit.

2.2 General safety instructions

This unit is designed in such a way that it presents no danger if installed according to instructions. This manual describes how to install the unit correctly.

- Adhere to the relevant local regulations and standards in your country.
- Use carrying aids such as carrying straps during transportation.
- Secure the unit against tipping during transport, after setting up at the installation location.

- Wear appropriate protective clothing, such as protective gloves and safety shoes, when transporting and installing the unit.
- The appliance must be installed in a frost-resistant, non-windy and protected environment.
- Do not expose the unit to weather conditions such as rain.
- Only connect the unit in accordance with the installation manual and the information on the nameplate.
- Switch the unit off before disconnecting the mains power or connecting to the mains.
- After use, only transport the unit at ambient temperatures above 0°C [32°F].
- Only store the unit at ambient temperatures above 0°C [32°F].
- Do not spray aerosols in the vicinity of this appliance while it is in operation.

- Check the unit for transport damage. If you suspect the device has been damaged in transit, contact your dealer/freight forwarder immediately.

2.3 Intended use

This unit has been developed for the preparation of hot food. This unit may only be used commercially, such as in restaurant kitchens and large and commercial kitchens in hospitals, bakeries or butcheries. This unit may not be used outdoors. This unit may not be used for continuous industrial mass production of food.

All other uses are contrary to the intended purpose, and may be dangerous. The manufacturer assumes no liability for the consequences of using the unit contrary to the intended use.

3 Product description

3.1 Unit description

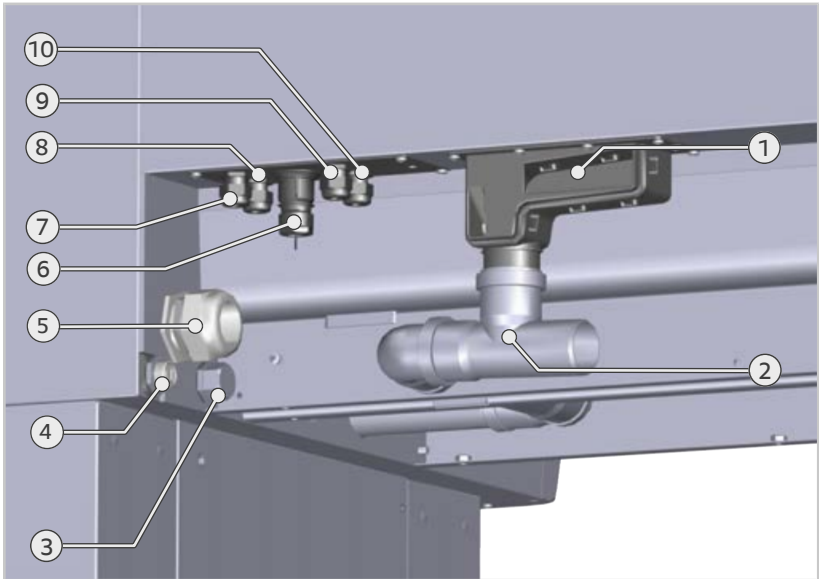
NOTICE

Never close or cover the safety overflow

Do not reduce the safety overflow in the cross section.

The safety overflow must always be accessible and free. This is used for ventilation and drainage as a drain.

The installations connections are on the left side of the unit:



1	Safety overflow (no connection)	6	Ethernet network connection
2	Waste water connection	7	PG connectors for optional connections
3	Water connection hot (optional)	8	
4	Water connection cold	9	
5	Power cable conduit	10	

3.2 Technical data

Protection class

The unit corresponds to spray water protection class IPX5.

Environmental conditions for operation

- Do not install the unit at ambient temperatures of below 5°C [41°F].

- Do not operate the unit at ambient temperatures of below 5°C [41°F].
- Only install the unit in a facility which is sufficiently ventilated with windows or an exhaust hood.

Noise emissions value

The noise emissions value is below 70 dB.

3.2.1 Unit weight

Unit with substructure

Unit size	Weight without packaging kg [lbs]	Weight with packaging kg [lbs]
iVario Pro L	216 [475]	248 [546]
iVario Pro L with pressure option	235 [517]	267 [588]
iVario Pro XL	256 [564]	299 [659]
iVario Pro XL with pressure option	283 [624]	326 [719]

Units with substructure and height adjustment

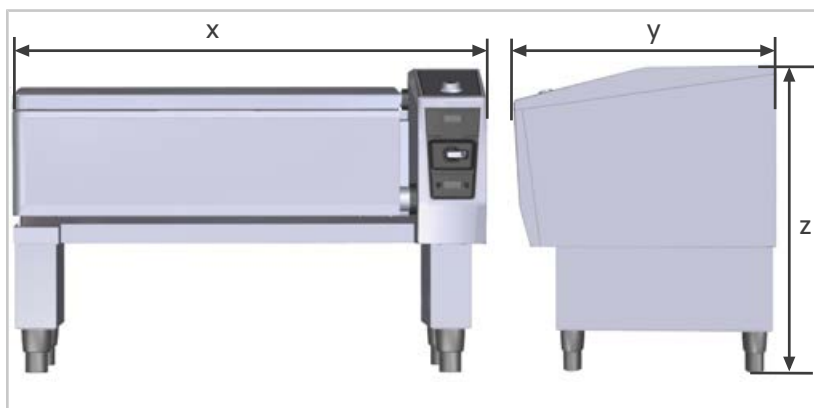
Unit size	Weight without packaging kg [lbs]	Weight with packaging kg [lbs]
iVario Pro L	238 [525]	270 [596]
iVario Pro L with pressure option	257 [567]	289 [638]
iVario Pro XL	279 [615]	322 [710]
iVario Pro XL with pressure option	307 [676]	350 [771]

Unit without substructure

Unit size	Weight without packaging kg [lbs]	Weight with packaging kg [lbs]
iVario Pro L	196 [432]	228 [503]
iVario Pro L with pressure option	215 [503]	247 [545]
iVario Pro XL	236 [520]	279 [615]
iVario Pro XL with pressure option	263 [580]	306 [675]

3.2.2 Unit dimensions

Unit with substructure



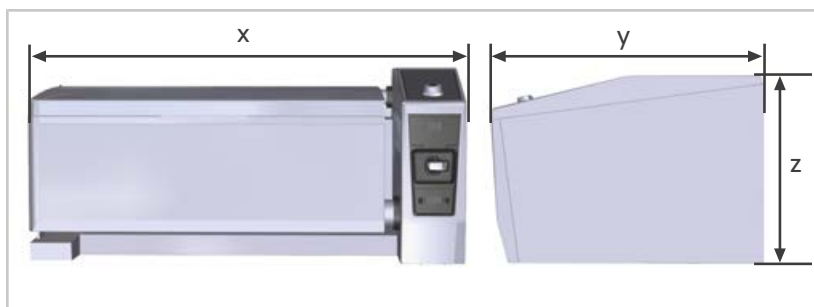
Unit size L

Width mm [inches] x	Depth mm [inches] y	Height mm [inches] z
1030 [40 1/2]	894 [35 2/8]	1078 [42 4/8]

Unit size XL

Width mm [inches] x	Depth mm [inches] y	Height mm [inches] z
1365 [53 5/8]	894 [35 2/8]	1078 [42 4/8]

Unit without substructure



Unit size L

Width mm [inches] x	Depth mm [inches] y	Height mm [inches] z
1030 [40 1/2]	894 [35 2/8]	608 [23 7/8]

Unit size XL

Width mm [inches] x	Depth mm [inches] y	Height mm [inches] z
1365 [53 6/8]	894 [35 2/8]	608 [23 7/8]

Packaging dimensions

Units with substructure unit size L

Width mm [inches] x	Depth mm [inches] y	Height mm [inches] z
1250 [49 2/8]	1100 [43 2/8]	1240 [48 7/8]

Units with substructure unit size XL

Width mm [inches] x	Depth mm [inches] y	Height mm [inches] z
1580 [62 1/4]	1100 [43 2/8]	1240 [48 7/8]

Units without substructure unit size L

Width mm [inches] x	Depth mm [inches] y	Height mm [inches] z
1250 [49 2/8]	1100 [43 2/8]	932 [36 6/8]

Units without substructure unit size XL

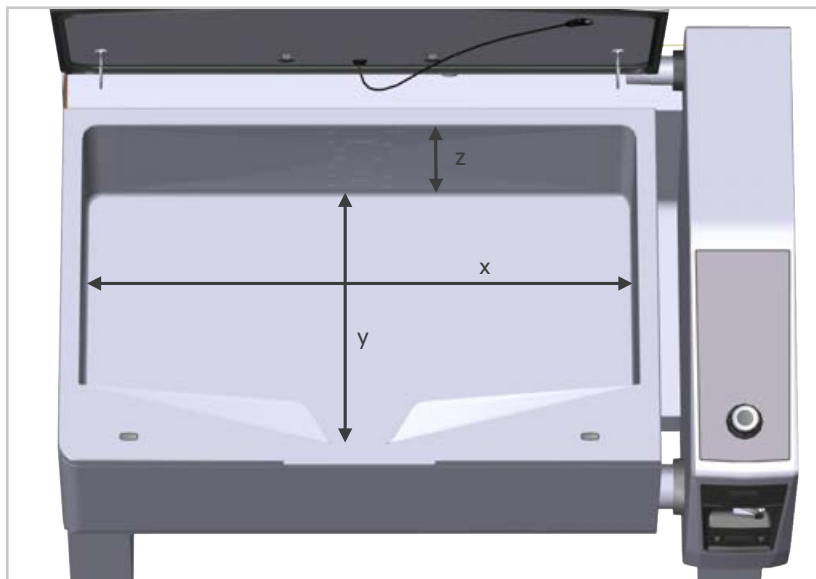
Width mm [inches] x	Depth mm [inches] y	Height mm [inches] z
1580 [62 2/8]	1100 [43 2/8]	932 [36 6/8]

3.2.3 Pan measurements

effective volume

Unit size	Effective volume l [gal]
L	100 [26]
XL	150 [40]

Pan internal dimensions



	Width mm [inches] x	Depth mm [inches] y	Height mm [inches] z
L	692 [27 2/8]	570 [22 4/8]	280 [11]
XL	1026 [40 3/8]		

3.2.4 Thermal load

Unit size	Thermal load latent (kJ/h)	Thermal load sensitive (kJ/h)
iVario Pro L	26827	5540
iVario Pro XL	37343	8413

We reserve the right to make technical developments/modifications.

4 Transport

CAUTION

Risk of crushing due to the weight of the unit

Hands, fingers and feet can be crushed.

- Use appropriate protective clothing during transport.
- Use carrying aids, e.g. a carrying strap.

CAUTION

Risk of tipping during transport

Risk of crushing if the unit tips onto persons.

- Note the centre of mass of the unit.
- Make sure that the unit does not tip over during transport or lifting.

CAUTION

Inclinations when transporting with a transport aid

Risk of crushing and injury during transport with a transport aid over inclinations or uneven floors.

- Do not go over an incline of more than 10°.
- Transport the unit carefully.

NOTICE

Unit damage due to narrow points

Note the width and height of entrances during transport.

Only transport the unit with the unit top cover closed.

NOTICE

Improper transport

Do not push the unit to the intended installation location.

The unit feet may be damaged.

Transport the unit according to this manual.

- ✓ The unit is on the shipping pallet.
- ✓ The unit feet are positioned in the feet guides in the box of the transport pallet.
- ✓ The intended installation surface is level.

- ✓ The unit top cover is closed.
 - ✓ At least 2 persons are required for transportation.
1. Remove the packaging material.

4.1 Lifting points on the unit

NOTICE

Risk of damage if lifted incorrectly

Only lift the unit at the lifting points provided.

Do not lift the unit by the side wall of the electrical component.

Centre of mass

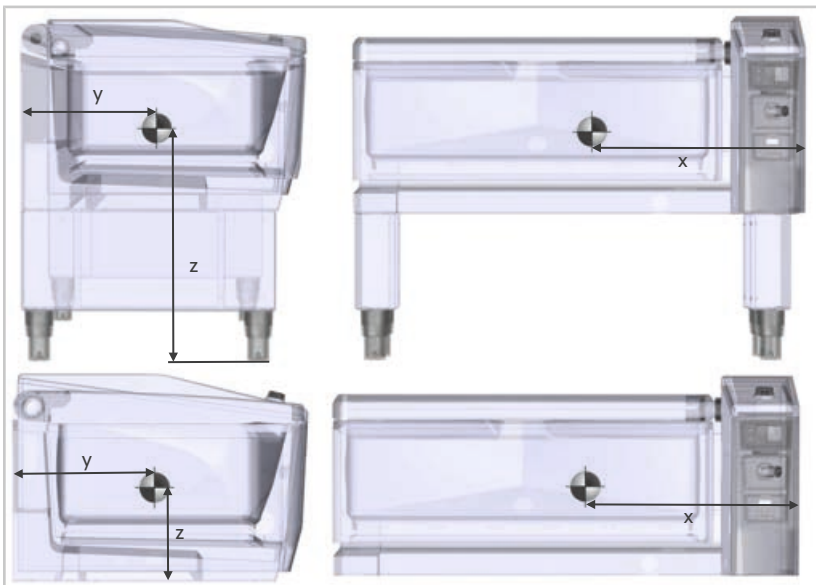
The following diagram shows the centre of mass of the unit. The measures to the centre of mass are approximate indications that serve the orientation.

⚠ CAUTION

Risk of crushing and injury if centre of mass not adhered to

If the centre of mass is not adhered to, the unit can tilt when lifted and transported.

- Ensure an even weight distribution of the unit.
- Note the centre of mass of the unit.

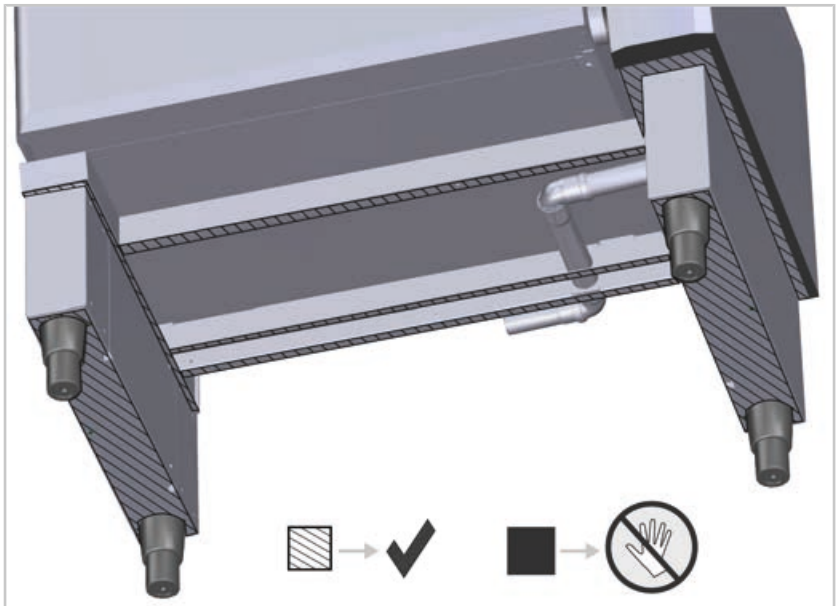


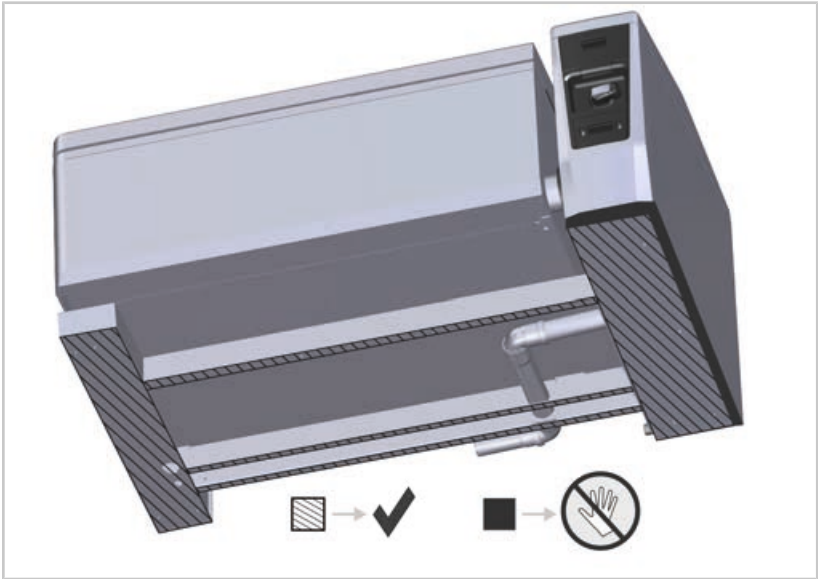
	Width mm [inches] x	Depth mm [inches] y	Height mm [inches] z
iVario Pro L	490 [19 19/64]	406 [16]	685 [26 31/32]
iVario Pro L without substructure	484 [19 1/16]	410 [16 9/64]	275 [10 53/64]
iVario Pro XL	640 [25 13/64]	400 [15 3/4]	690 [27 11/64]
iVario Pro XL without substructure	635 [25]	405 [15 15/16]	275 [10 53/64]

Lifting points on the unit

1. Lift the unit by the base frame marked in the image and the marked pan covering.

Unit with substructure



Unit without substructure**4.2 Transport without pallet****NOTICE****Improper transport**

Do not push the unit to the intended installation location.
The unit feet may be damaged.
Transport the unit according to this manual.

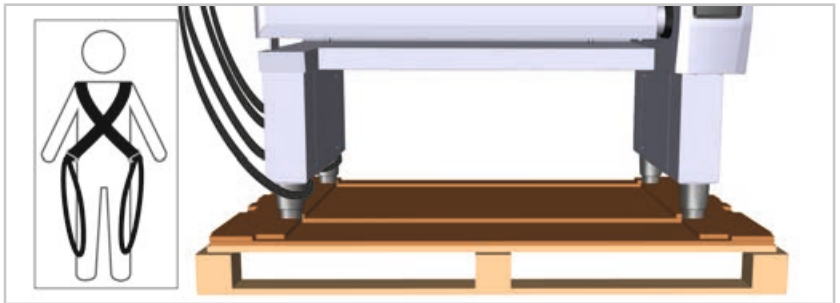
NOTICE**Risk of damage if lifted incorrectly**

Only lift the unit at the lifting points provided.
Do not lift the unit by the side wall of the electrical component.

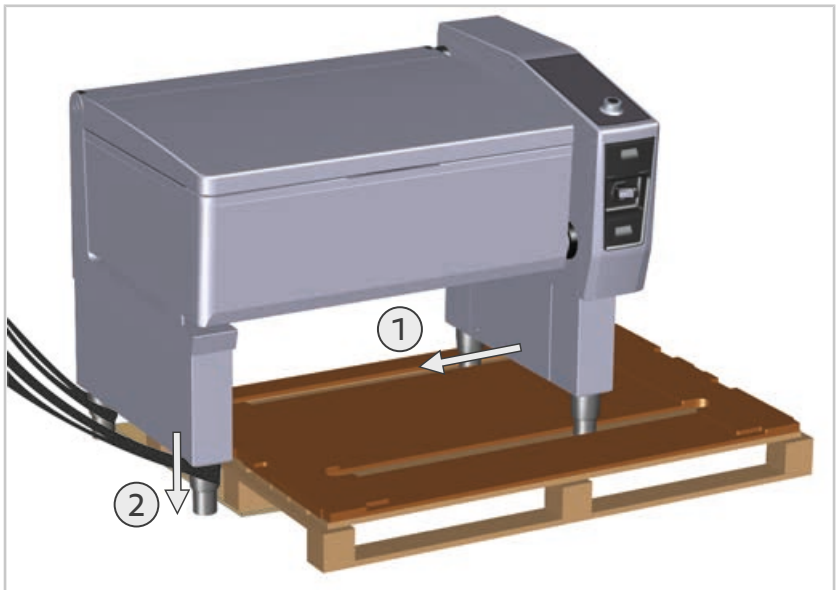
The manufacturer recommends that the unit be transported with cross straps.

- ✓ The packaging material is removed.
- ✓ The cross straps are ready for use.

1. Place the straps around the feet of the unit.

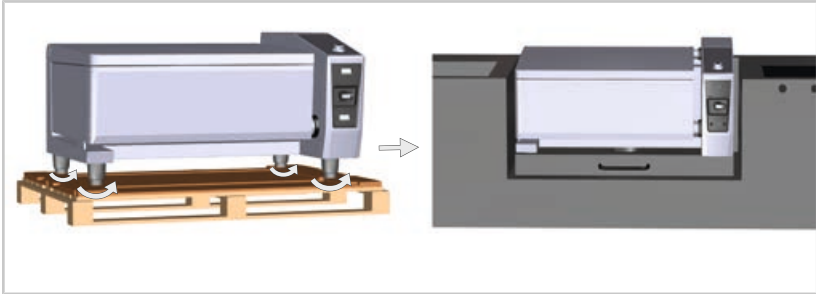


2. Lift up the unit on the left side.
3. Pull the unit to the end along the feet guides in the box and set aside the left side of the unit.



4. Lift up the unit on the right side and remove the pallet.
 - > The shipping pallet is removed.
5. Lift the unit at the lifting points and transport it to the intended installation surface.

6. If you set up the unit without a substructure, remove the transport feet prior to installation.



>> The unit is standing on its intended installation surface and is ready for assembly and installation.

4.3 Transport with pallet

CAUTION

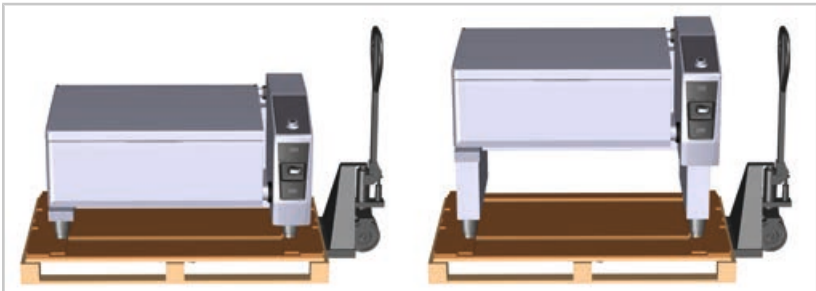
Inclinations when transporting with a transport aid

Risk of crushing and injury during transport with a transport aid over inclinations or uneven floors.

- Do not go over an incline of more than 10°.
- Transport the unit carefully.

- ✓ The packaging material is removed.
- ✓ The pallet truck is at the lowest setting.

1. Place the transport aid on the side of the electrical compartment.



2. Transport the unit to its place of installation with the transport aid.
3. Lift the unit at the lifting points and place it on its intended installation surface.

>> The unit is standing on its intended installation surface and is ready for assembly and installation.

4.4 Transporting without a pallet with a pallet truck

NOTICE

Transporting with a transport aid without protection

Transport the unit as far as you can on the pallet. Do not transport the unit without protection with a transport aid or a similar transport tool. For protection, you can use a wooden pallet.

- ✓ The packaging material is removed.
- ✓ Protection against unit damage, such as a wooden beam, is available.
- ✓ The pallet truck is at the lowest setting.
 1. Place the damage protection on the transport aid.
 2. Position the pallet truck under the unit from the front or from the side of the electrical compartment.
 - > The pallet truck and the damage protection are placed in such a way that only the lifting points are loaded during transport.
 3. Transport the unit with the pallet truck to its intended installation surface.
 4. If you set up the unit without a substructure, unscrew the transport feet prior to installation.
- >> The unit is standing on its intended installation surface and is ready for assembly and installation.

5 Placement

CAUTION

Risk of crushing when positioning the unit

Fingers, hands and feet could be crushed beneath the unit.

- Wear appropriate protective clothing when positioning the unit.
- Only lift the unit at the intended lifting points.

Pre-requisites

- If you do not place the device on plastic feet by default, follow the instructions and steps in the chapter Installation options.

5.1 Minimum clearance to unit

NOTICE

Minimum clearance not adhered to

Place the unit with the minimum clearance to heat sources or open fire required to prevent any damage to the unit or malfunctions.

NOTICE

Damage to the wall on the rear side of the unit

Water or steam can escape from the safety overflow. Observe this note during installation and check the condition of the wall on the rear side of the unit.

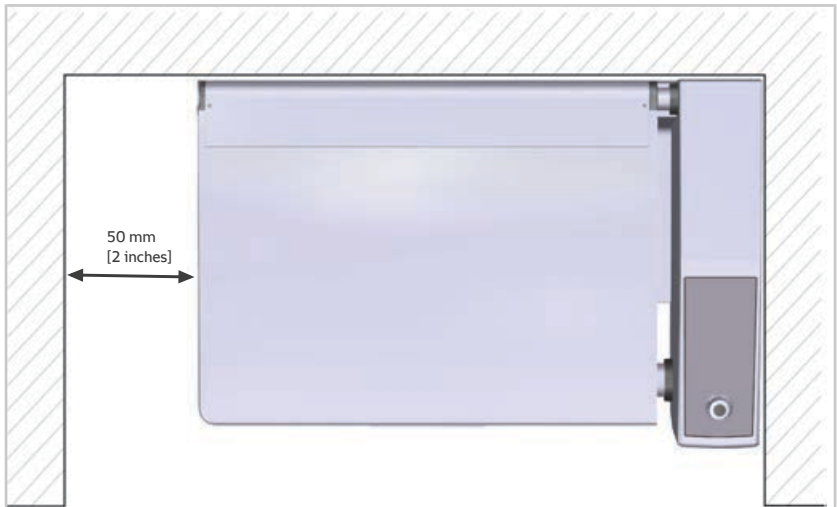
5.1.1 Distance to walls

There is no minimum clearance on the unit rear.

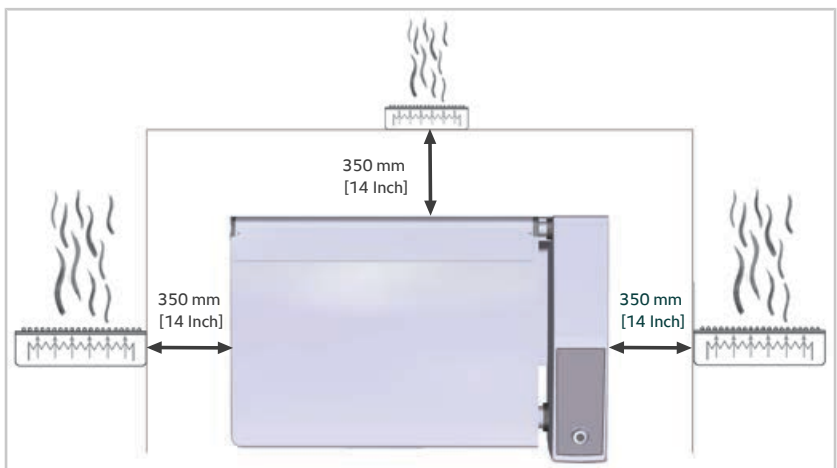
- ✓ The walls at the place of installation must be built according to local fire protection regulations and must be resistant to heat sources.
1. Keep a minimum distance to walls on the left side.

Manufacturer's recommendation

1. Place the unit on the left side with a minimum distance of 50 mm. [2 inches] to the wall to allow ideal cleaning of the unit.

**5.1.2 Distance to heat sources**

1. Position the unit with a minimum clearance of 350 mm. [14 inches] to heat sources.



5.1.3 Distance to water sources

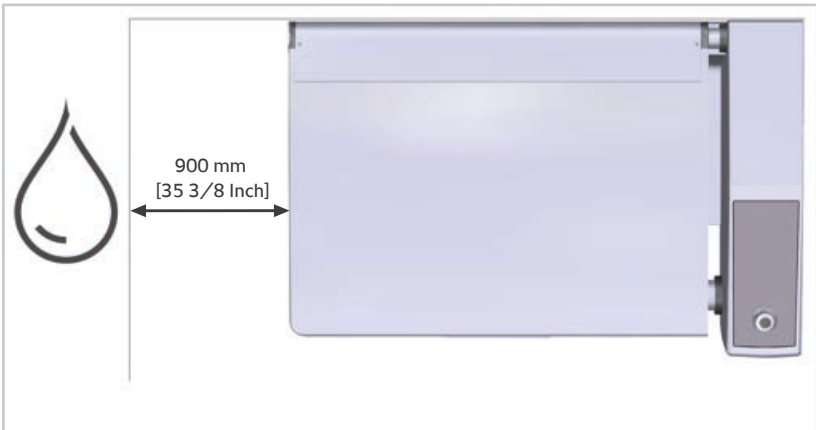
WARNING

Risk of burns due to failure to comply with the minimum distances to open water sources

Water can splash into the hot pan, hot liquids or hot fat.

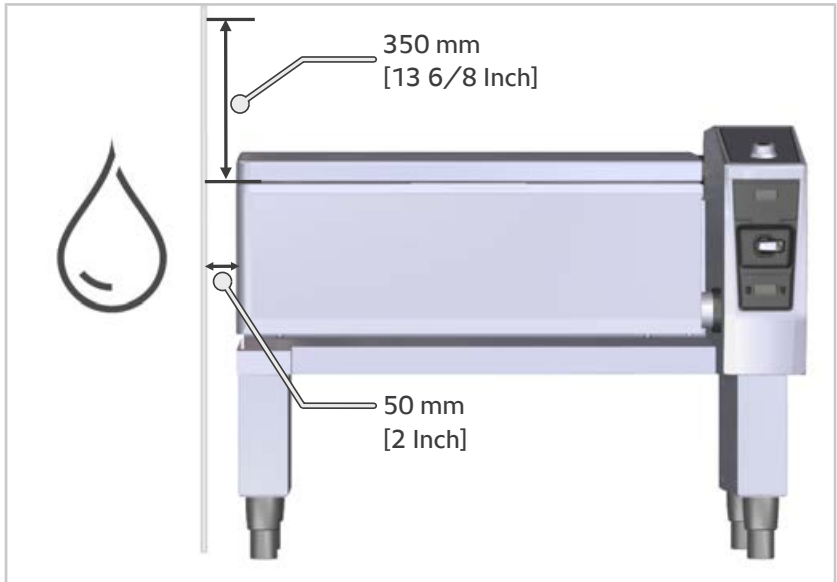
- Position the unit with a minimum clearance of at least 900 mm [35 3/8 inches].
- If you cannot comply with the indicated clearance, install the non-flammable partition as described in this manual.

1. Position the unit with a minimum clearance of 900 mm [35 3/8 inches] to open water sources on all sides.



1. If you cannot adhere to the clearance, mount a non-flammable 350 mm [13 6/8 inches] high separator between the unit and the water source.

- Note the recommended minimum clearance to walls for easier cleaning of the unit.



5.2 Stand the unit up

CAUTION

Risk of tipping when installed on installation surface

Risk of crushing if the unit tips onto persons.

- Note the centre of mass of the unit.
- Make sure that the unit does not tip over during lifting.

- ✓ The installation surface is horizontally level.
 - ✓ The minimum clearances are adhered to.
- Position the unit on the provided installation surface.
- >> The unit is standing on its installation surface and is ready for horizontal alignment.

Stand unit without substructure

- ✓ The installation surface is horizontally level.
 - ✓ The minimum clearances are adhered to.
 - ✓ The transport feet are removed.
- Position the unit on the provided installation surface.

>> The unit is standing on its installation surface and is ready for horizontal alignment.

5.3 Align the unit

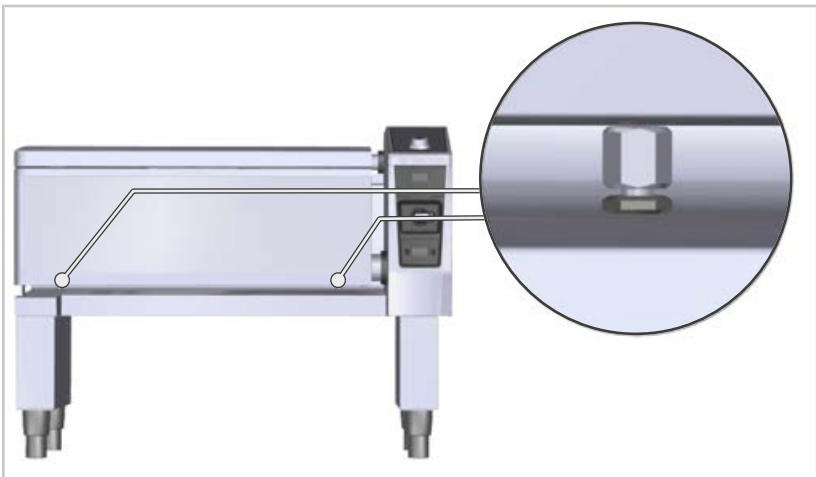
The unit is levelled with the unit feet.

NOTICE

The pan does not rest on pan stops

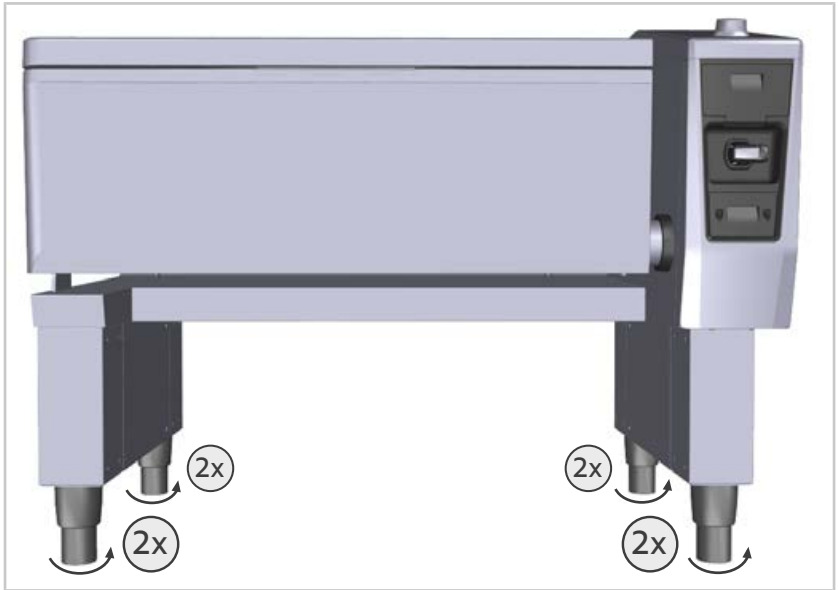
The pan is located on the pan stops after delivery from the factory. Do not adjust these screws.

If the pan does not rest on the pan stops in the downwards position after horizontal alignment, contact the manufacturer.

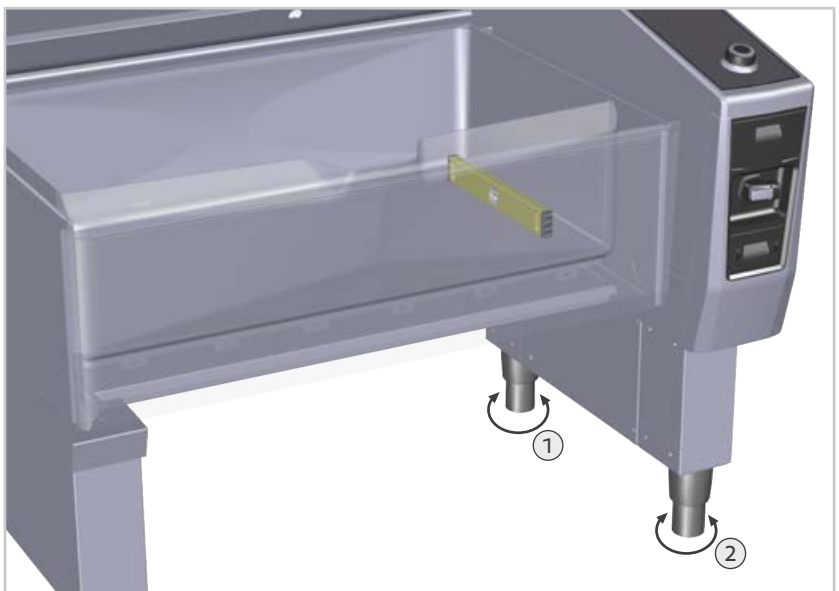


- ✓ The pan is on the stops.
- ✓ The unit is standing on its intended installation surface.
- ✓ The minimum clearances are adhered to.

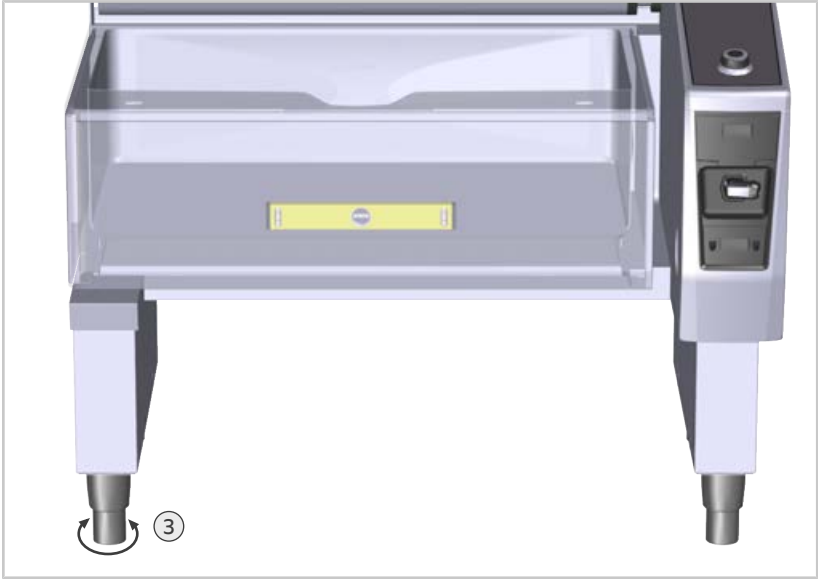
1. Turn all unit feet out by approximately 2 turns to ensure sufficient clearance for the alignment of the unit.



2. Place the spirit level on the right side of the pan and align the unit horizontally with the unit feet (1) and (2).



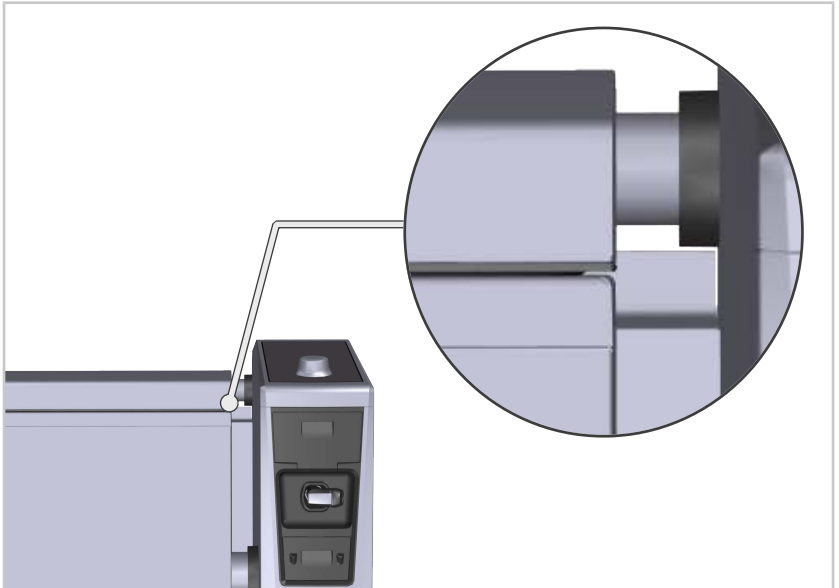
3. Place the spirit level on the front edge of the pan and align the unit horizontally using the unit base (3).



4. Place the spirit level on the left side of the pan and align the unit horizontally using the unit base (4).



5. Close the unit cover and check whether the unit cover and pan are aligned.



6. If the unit cover and pan are not aligned, readjust the unit using the unit foot (4).

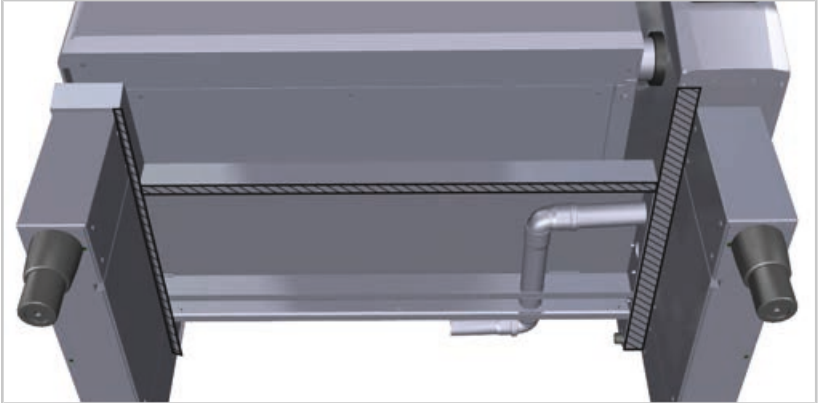
5.4 Align unit without electrical current

If the unit is not connected to the mains, align it with the unit base frame at the bottom.

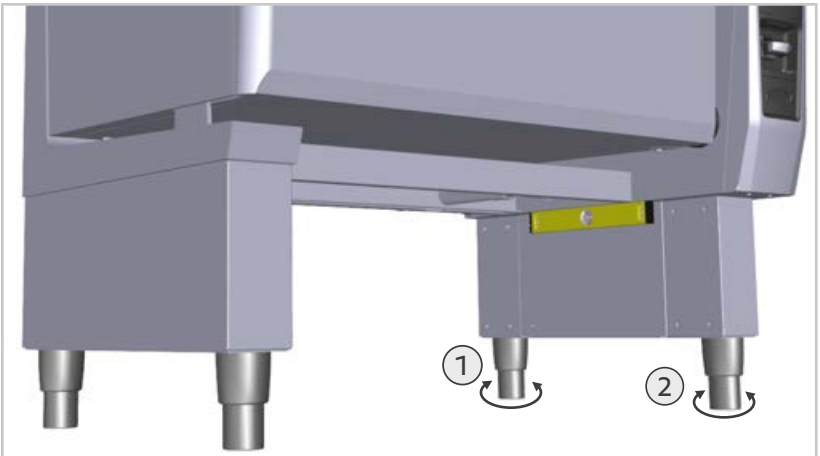
NOTICE

Incorrect placing of the spirit level

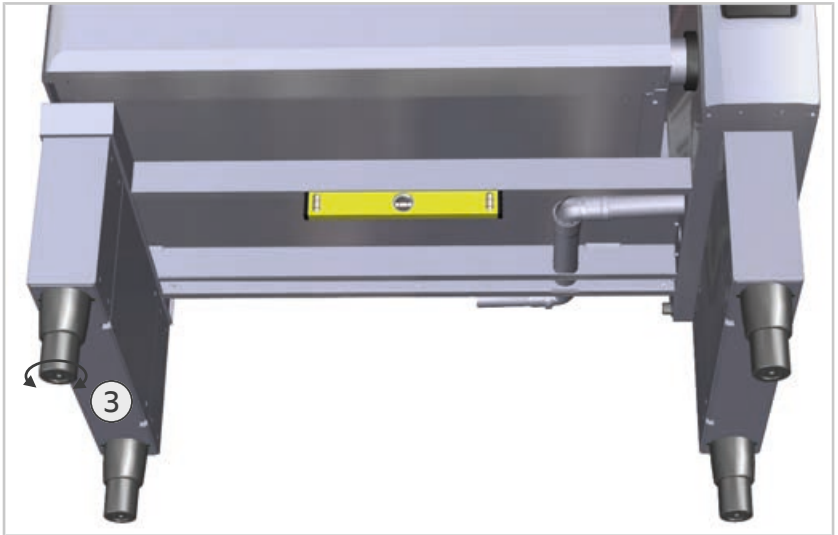
Do not place the spirit level on the pan when aligning the unit with the bottom part. Place the spirit level on the unit base frame.



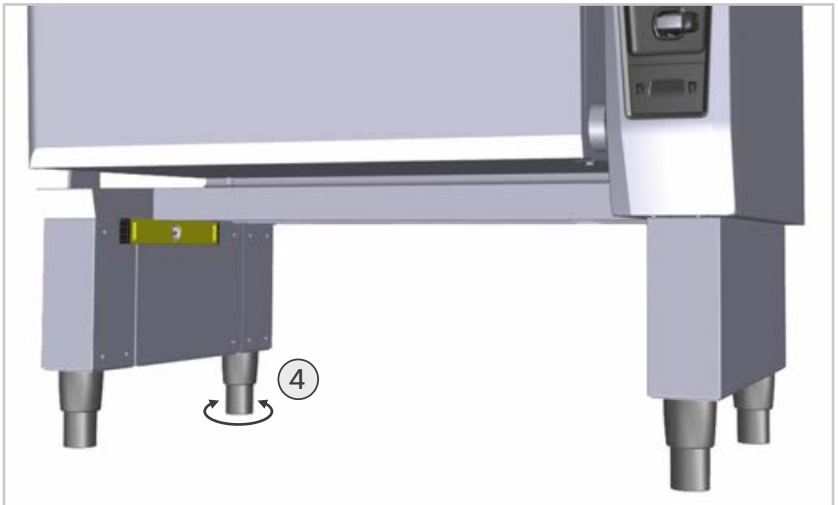
1. Place the spirit level on the bottom right side of the unit and align the unit horizontally using the unit feet 1 and 2.



- Place the spirit level on the underside of the unit and align the unit with the unit foot 3.



- Place the spirit level on the underside of the unit and align the unit with the unit foot 4.



- Check whether the unit cover and the pan are flush.
- If the unit cover and pan are not aligned, readjust the unit using the unit foot 4.

>> The unit is level.

>> The unit cover and the pan close tightly.

5.5 Fixing the unit in place

The manufacturer recommends that the unit be fixed to the installation surface.

The kit for fixing the unit in place, including special glue, screws and dowels, is **not** included in the scope of delivery of the unit and can be ordered separately from the manufacturer under article number 60.72.905.

6 Electrical connection

DANGER

High voltages when connecting to the mains power

Danger to life due to high voltage.

- Disconnect from the power supply.
- Make sure the unit is disconnected from the power.

DANGER

Electric shock from incorrect connection

There is a danger to life if the wires are incorrectly connected.

Connect the wires correctly according to their colour coding.

CAUTION

Risk of injury due to improper installation

Use an accessible all-pole disconnection device provided by the customer with a minimum of 3 mm [0.12 inches] contact gap.

NOTICE

Mains voltage does not correspond to unit voltage

Before connecting, check whether the mains voltage corresponds to the required voltage on the type plate of the unit.

6.1 Regulations for electrical connection

- Adhere to the regulations of the VDE and the local energy supply companies.
- Connect the unit in accordance with the applicable regulations of your country.
- Connect the unit to a standard energy supply network.
- The amp draw, contactors and cable cross-sections depend on the following factors:
 - Local regulations
 - Cable length
 - Cable quality
 - Power supply
- For a proper electricity connection, adjust the power ratings to the local circumstances and requirements.

- Adhere to the regulations of IEC 60364 or those of the local version of IEC 60364.

Notes

- The cross-sections of the connection lines depend on current consumption and local regulations.

Colour coding of wires:

Note the colour coding of wires and local deviations.

Wire colour	Wire function
Yellow/green	Protective conductor
Blue	Neutral conductor (neutral wire)
Brown, grey or black	Phase L1, L2, L3

Residual current circuit breaker

All units are generally equipped with a protective conductor terminal. In accordance with the national standards and regulations, a residual current device (RCD) type A or type B (RCD type A, RCD type B) must also be included in the installation of the unit.

6.2 Open the electrical compartment

CAUTION

Sharp edges on the housing

Risk of cuts on the housing when working in the electrical compartment.
Wear protective gloves.

NOTICE

Incorrect objects for opening the control panel

Do not use any sharp or pointy objects to press the control panel upwards.
This could damage the housing and gasket.

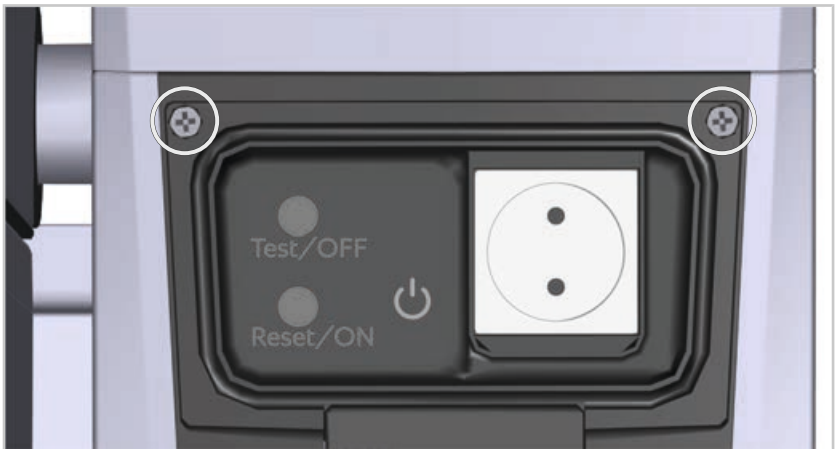
NOTICE

Damage to the cable trunk and the control panel when removing the control panel

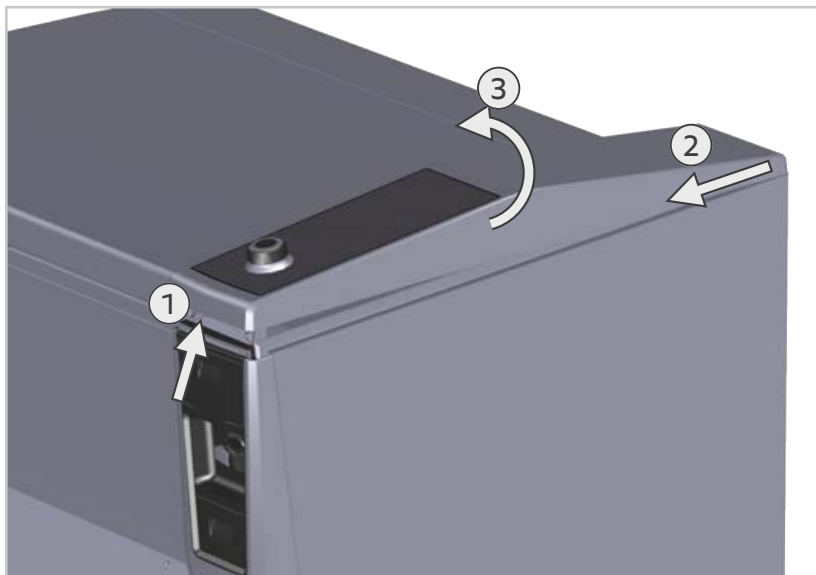
The control panel is connected to the installation compartment by a cable trunk.
Remove the control panel carefully in order not to damage the cable trunk.
Put down the control panel carefully and protect it against scratching.

The electrical compartment is located below the control panel.

- ✓ The unit is standing on its intended installation surface.
 - ✓ The unit top cover is closed.
 - ✓ A cross-headed screwdriver is ready for use.
 - ✓ All power sources are switched off by way of an external circuit breaker.
 - ✓ To protect the control panel against scratching and damage, there is a protective layer on the pan lid, for example cardboard or bubble wrap.
1. Open the cover on the front of the unit and remove the 2 screws with the crosstip screwdriver.



1. Remove the control panel at the front of the frame of the electrical compartment (1) and pull the control panel slightly forward (2). Turn and place the control panel on the pan lid (3).

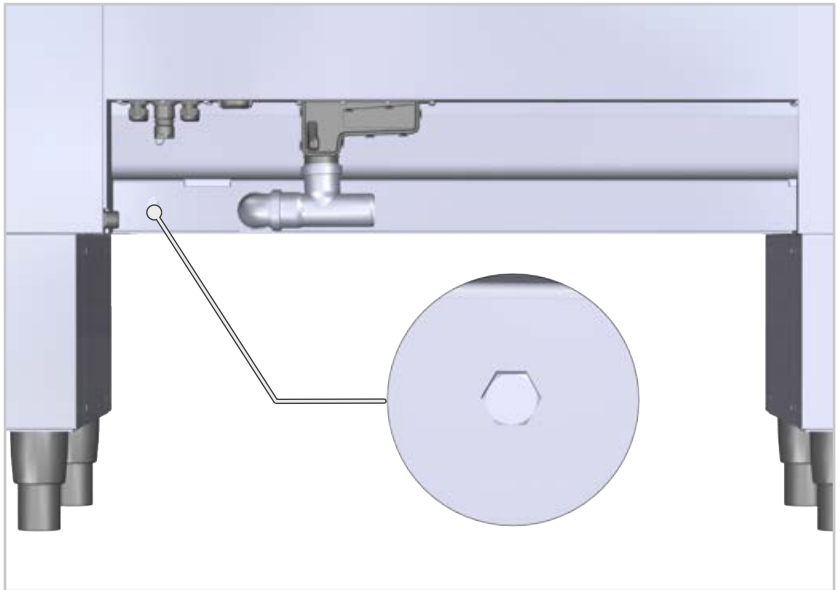


>> The electrical compartment is open.



6.3 Connecting the equipotential bonding

1. Connect the equipotential bonding before installing the connections.



6.4 Connect the unit to the mains

Notes on power cable and connection point

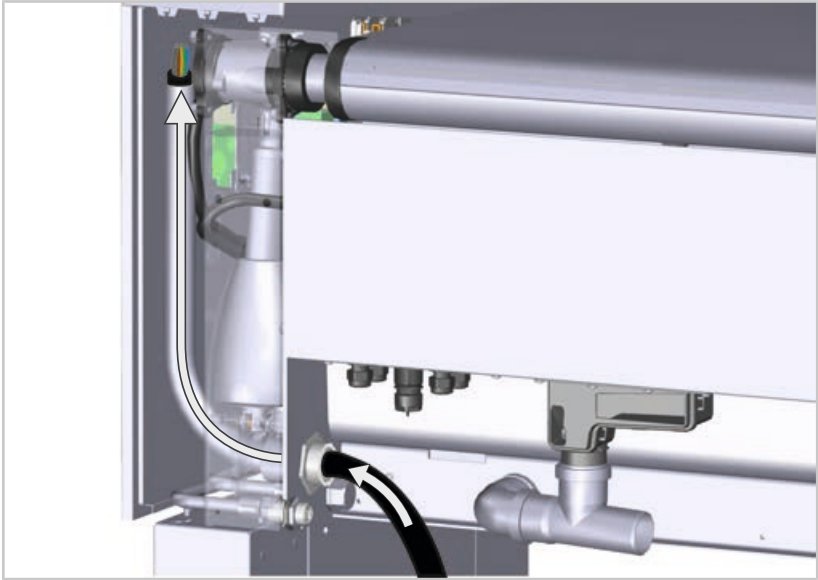
- The manufacturer recommends using a flexible power cable. A rigid power supply cable makes connection difficult and can impact the position of the unit.
- The unit can be connected either with a permanent connection or a plug connection.
- The connection point for the power cable is on the main contactor in the electrical compartment.
- Units are delivered without mains cables.
- A dedicated supply line is available for the unit.
- The flexible power cable is at least a type H07RN-F.
- The rigid power cable is at least a type U-1000R02V.

Establish the connection

The power cable is pushed through a conduit pipe into the electrical compartment.

- ✓ A residual current device type A or B is provided.
- ✓ The electrical compartment is open.

1. Unscrew the cable gland.
2. Lead the mains cable through the cable gland into the electrical compartment to the connection point. Make sure that the wires are not damaged.



3. Tighten the cable screw in the opening.
 4. Open the connector terminals with the appropriate tool and connect the wires. Refer to the table below with the colour codes.
 5. Connect the protective conductor to the yellow-green terminal.
 6. If a neutral conductor is required in the voltage, connect the neutral conductor to the blue terminal.
 7. Connect the grey, brown and black wires directly to contactor K1.
 8. Check that the wires are properly plugged in.
 9. Screw in the cable gland.
 10. Connect the power cable to the mains.
- >> The power connection is completed.

Colour coding of the terminals

Connection	Wire colour	Connector terminal	Tool
Phase	Grey, brown or black	L1, L2, L3	Allen key
Neutral conductor (neutral wire)	Blue	N	Slot screwdriver

Connection	Wire colour	Connector terminal	Tool
Protective conductor	Yellow/green	PE	Slot screwdriver

6.5 Connect the unit to the mains

Notes on power cable and connection point

- The manufacturer recommends using a flexible power cable. A rigid power supply cable makes connection difficult and can impact the position of the unit.
- The flexible power cable is at least of type SOOW 90 °C.

Establish the connection

6.6 Connect the unit to the mains for Demo mode

The Demo mode is used for demonstration purposes for the basic functions of the unit.

Refer to the table below with the colour codes for the connection.

Colour coding of connector terminals for Demo mode

Connection	Wire colour	Connector terminal	Tool
Phase	Grey	L1	Allen key
Neutral conductor	Blue	N	Slot screwdriver
Protective conductor	Yellow/green	PE	Slot screwdriver

The following functions are activated or deactivated in Demo mode:

- Cooking processes are simulated (processes are accelerated)
- Movement of the pans and unit top panel is active
- Heating is deactivated

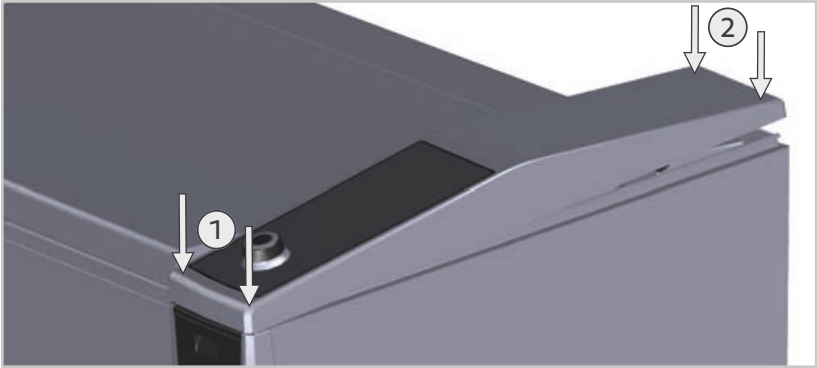
If the unit is connected in Demo mode, the following connections are sufficient:

- one phase
- one neutral conductor
- one protective conductor
- Equipotential bonding

6.7 Close the electrical compartment

- ✓ The power cable is connected to the unit.

1. Insert the control panel at the front (1) and push it at the back (2) until it snaps into place.



> The cover is placed evenly onto the frame of the electrical compartment at all points.

2. Screw in the 2 screws behind the cover on the front of the unit.



>> The electrical compartment is closed and protected against the penetration of water and humidity.

6.8 Power ratings of different voltage types

Maximum connection voltage

- Maximum permissible tolerance for input voltage: - 10% to 10%

- The unit can be used with frequencies of 50 Hz and 60 Hz without making any technical modifications.

NOTICE

The values stated for the cable cross-section relate to a maximum cable length of 2 m [78 Inch]. Calculate the conductor cross section according to the length and quality of the power cable used.

3N AC 400 V	Power kW	Amp draw A	Fuse A	Conductor cross-section mm²
iVario® Pro L	27 (Balanced Power: 21)	40 (Balanced Power: 30)	40 (Balanced Power: 32)	6 (Balanced Power: 4)
iVario® Pro XL	41 (Balanced Power: 34)	59 (Balanced Power: 50)	63 (Balanced Power: 50)	10 (Balanced Power: 10)
3N AC 415 V	Power kW	Amp draw A	Fuse A	Conductor cross-section mm²
iVario® Pro L	29	41	50	10
iVario® Pro XL	44	61	63	10
3 AC 200 V	Power kW	Amp draw A	Fuse A	Conductor cross-section mm²
iVario® Pro L	26	74	80	16
iVario® Pro XL	38	111	125	35
3 AC 208 V	Power kW	Amp draw A	Fuse A	Conductor cross-section mm²
iVario® Pro L	23	64	70	16
iVario® Pro XL	34	96	100	25
3 AC 220 V	Power kW	Amp draw A	Fuse A	Conductor cross-section mm²
iVario® Pro L	25	66	80	16
iVario® Pro XL	38	100	100	25
3 AC 230 V	Power kW	Amp draw A	Fuse A	Conductor cross-section mm²
iVario® Pro L	27	69	80	16
iVario® Pro XL	41	103	125	35
3 AC 240 V	Power kW	Amp draw A	Fuse A	Conductor cross-section mm²
iVario® Pro L	22	53	60	10

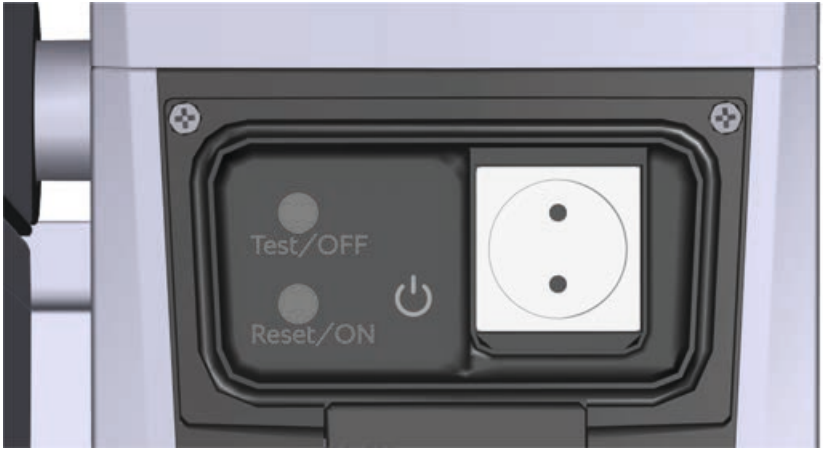
3 AC 240 V	Power kW	Amp draw A	Fuse A	Conductor cross-section mm ²
iVario® Pro XL	37	88	100	25
3 AC 400 V	Power kW	Amp draw A	Fuse A	Conductor cross-section mm ²
iVario® Pro L	27	39	40	6
iVario® Pro XL	41	59	63	10
3 AC 415 V	Power kW	Amp draw A	Fuse A	Conductor cross-section mm ²
iVario® Pro L	29	41	50	10
iVario® Pro XL	44	61	63	10
3 AC 440 V	Power kW	Amp draw A	Fuse A	Conductor cross-section mm ²
iVario® Pro L	25	33	40	6
iVario® Pro XL	38	50	50	10
3 AC 480 V	Power kW	Amp draw A	Fuse A	Conductor cross-section mm ²
iVario® Pro L	29	35	35	6
iVario® Pro XL	44	53	60	10

6.9 Check the function of the socket in the unit

Power ratings for socket in the unit

Standard version with residual current circuit breaker:

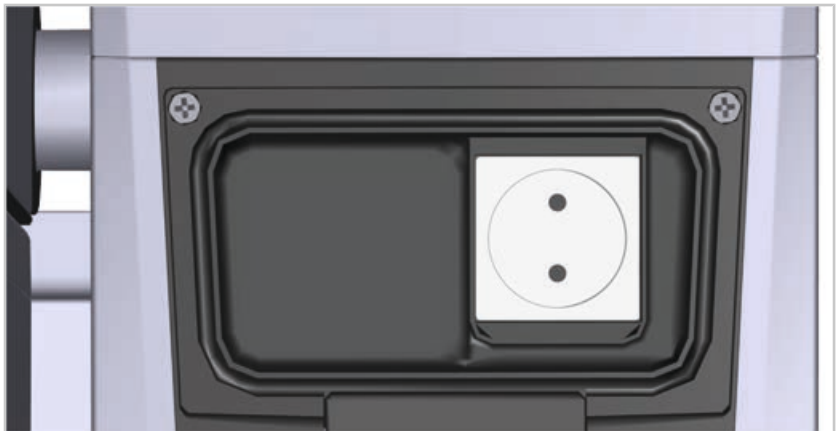
The socket in the unit is fitted with an integrated RCD, which disconnects the socket if there is any current leakage. Check the socket in the unit before first use.



Version without residual current circuit breaker:

Optionally, the socket in the unit is equipped with a 10 A fuse. The maximum available power is 2,3 kW.

Optional version without residual current circuit breaker:



Check the function

When the unit is switched on, the socket is inactive.

- ✓ The unit is connected to the mains.
 1. Press the Reset/On LED button.
 - > The aforementioned Reset/On LED button lights up and the socket is functional.
 2. Press the Test/Off LED button.
 - > The aforementioned Test/Off LED button lights up and the socket is not functional.

>> The function of the socket is checked.

Malfunction of the socket in the unit

Both LED buttons do not light up.

- If the Test/Off LED button does not stop lighting up when pressed, the residual current device may be faulty.
- The fuse on the residual current circuit breaker may be faulty.
- If the fuse is functional, the fault current protection switch may be faulty.

6.10 Unit options

Substructure with height-adjustable feet

If the unit is equipped with height-adjustable feet, the connection values will not change.

7 Network connection

7.1 Notes on network connection

The network connection allows you to connect the unit to your network, in order to connect the unit to ConnectedCooking.

Ethernet connection (Local Area Network)

- Optionally, the unit can be ordered or retrofitted with an Ethernet connection.
- The retrofit kit is available from the manufacturer under article number 87.01.643S.
- Use at least one Category 6 network cable to connect to the network, specification: CAT-6.
- The network connection is located on the rear of the unit.
- A detailed description of the connection to the network can be found in the original operating instructions.

WLAN (Wireless Local Area Network)

The built-in WLAN adapter is a market-dependent option that is not available in every country.

- The units in the series iVario Pro L and iVario Pro XL have WLAN as standard.

7.2 Connecting the unit to the network

Connecting the Ethernet cable (LAN)

1. Unscrew the LAN connection.
 2. Unscrew the cap.
 3. Remove the sealing plugs.
 4. Push the Ethernet cable through the union nut.
 5. Push the Ethernet cable through the rubber grommet.
 6. Insert the rubber grommet back into the clamp ring.
 7. Plug the Ethernet cable into the socket.
 8. Screw in the connection.
 9. Tighten the cap.
- >> The Ethernet cable is connected and can be used.

8 Water connection

8.1 Regulations for water connection

NOTICE

Connection to soft water

Make sure the residual hardness of the water is at least 4 dH if you connect the unit to soft water. A soft water connection is not necessary.

Water hose

- Supply and use a separate water tap for each unit.
- Do not use any used water hoses.
- Use a water hose at least meeting the requirements of IEC 61770, EN 61770, EN 13618 or of equivalent quality.
- A water hose according to EN 61770 is enclosed with the unit. The materials used in this connection hose meet KTW, DVGW W270, and FDA requirements.

Drinking water protection

For a drinking water connection, a drinking water protection device meeting the requirements of EN 1717 is required.

- Adhere to the country standards and regulations for a connection to the drinking water supply, including hygiene requirements.

Water pressure

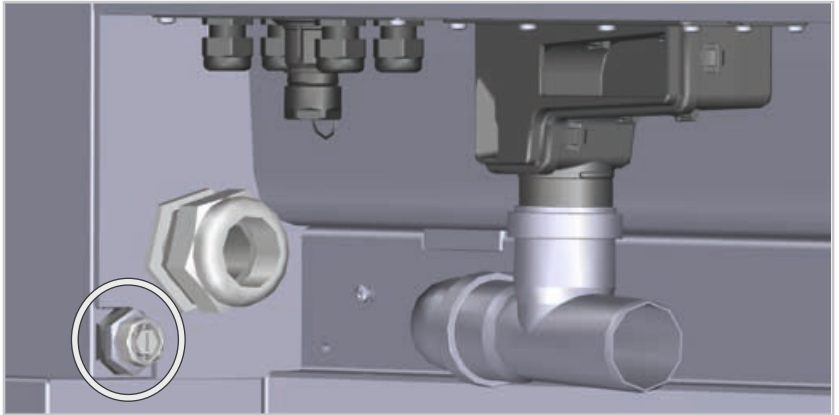
- The water pressure (flow pressure) in the supply line is 1,5 bar to 6 bar [22 psi to 87 psi].
- A water pressure of 3 bar [43 psi] is recommended.

Water temperature

- Maximum cold water: 30 °C [86 °F]

8.2 Connecting water inlet

The water connection is on the rear of the unit.



- ✓ The water hose meets the hygiene requirements for drinking water hoses in your country.
 - ✓ Safety devices, such as backflow prevention devices or CA system separators, have been installed in the inlet to the water tap.
 - ✓ Cable for the joint cold water connection: 3/4 Inch
 - ✓ Water hardness: at least 4°dH
1. Connect the supplied water hose to the water inlet of the unit.
 2. Open the water tap.
- >> The water inlet is connected.

9 Waste water connection

9.1 Regulations for waste water connection

NOTICE

The drain pipe does not meet requirements

Use a drain pipe with a high temperature resistance, which corresponds at least to a type PP pipe. Do not use a hose.

NOTICE

Dirty and greasy waste water

Make sure that a grease trap is installed by the owner to clarify the waste water.

NOTICE

Never close or cover the safety overflow

Do not reduce the safety overflow in the cross section.

The safety overflow must always be accessible and free. This is used for ventilation and drainage as a drain.

NOTICE

Incorrect installation of drain pipe

Do not stick or weld the drain pipe to the unit drain.

Do not connect the drain pipe using a reducer to the unit drain.

- A wall drain or floor drain can be provided for all units.
- To avoid rising odours, use an odour trap.
- If there is a drain without an odour trap, keep a free outlet of at least 20 mm [3/4 Inch].
- Connect the drain pipe so that it has a constant fall of at least 5% or 3°.

Requirements

- Each unit must have its own waste water connection.
- The kit with the unit drain DN 50 is **not** enclosed with the unit. The kit is available separately from the manufacturer under article number 87.00.746.

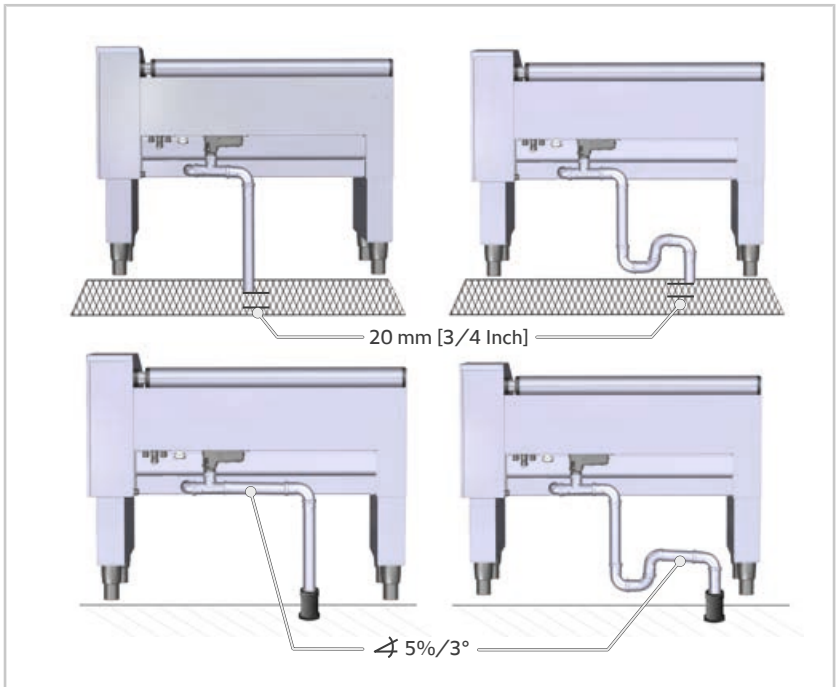
- If you install a unit with height-adjustable feet, a flexible unit drain is required. The kit with the flexible unit drain DN 50 is **not** enclosed with the unit. The kit is available separately from the manufacturer under article number 87.00.750.

9.2 Connect waste water drain

- The drain connection is on the rear of the unit.
- Diameter at unit drain: DN 50 mm

Install the drain to the rear of the unit

- ✓ The drain pipe is designed as a DN 50 mm unit drain.
 - ✓ The drain pipe corresponds to at least type PP and is resistant to high temperatures.
1. Use a 90° angle piece first for the drain pipe and a second pipe section for a T piece.
 2. Close the drain pipe to the side or to the bottom.

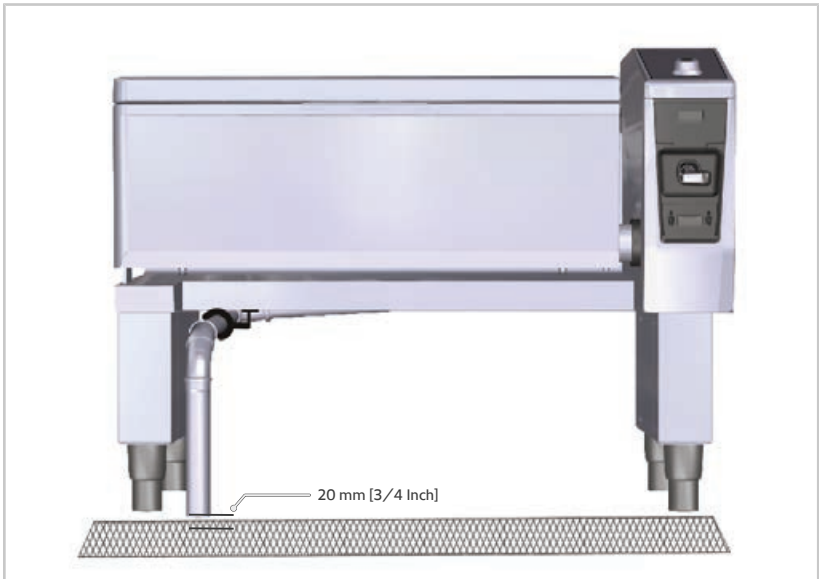


>> The drain pipe is installed with a fall of at least 5% or 3°.

Install the drain at the front of the unit

If the waste water drain is installed at the front of the unit, a bracket is required on the side of the unit.

- ✓ There is a drain channel with a drain grating on the front of the unit.
- 1. Screw the bracket to the bottom of the unit.
- 2. Connect the drain pipe and pass it through the bracket to the front of the unit.



>> The drain pipe is installed with a fall of at least 5% or 3° with the outlet towards the front.

10 Decommissioning

10.1 Notes on decommissioning

Note the following information on decommissioning the unit:

- Make sure that the unit is disconnected from the power supply.
- Remove all water and waste water connections from the unit.
- If the unit is to be transported, remove the unit from the foot locks and from any wall brackets (fastening chain).
- Please note that water remains in the unit after decommissioning. Frozen water expands and can damage the unit. Follow the general safety instructions found in this manual.

10.2 Disposal

Electric and electronic units like the iVario and iVario Pro must be disposed of separately.

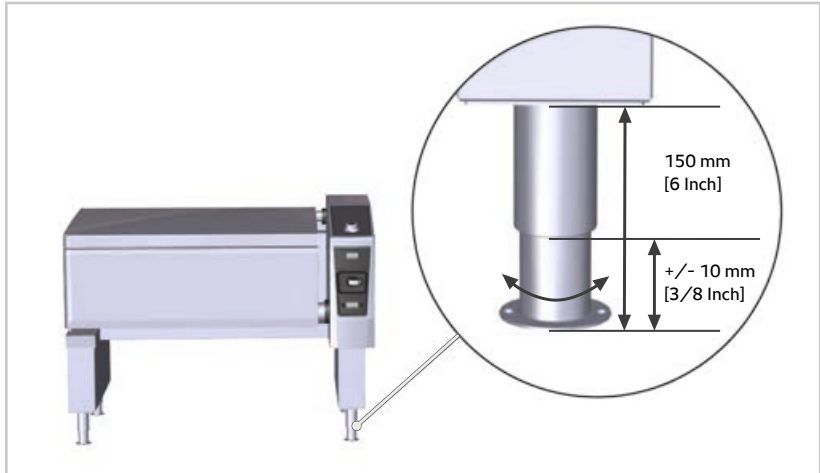
1. Do not dispose of the unit with the household waste or at a municipal collection point for waste or used electrical appliances.
2. The appliance disposal regulations of each country must be observed.
3. If required, contact the manufacturer for further information on disposal.

11 Options

11.1 Positioning options

Unit with stainless steel feet

The stainless steel feet can be raised by turning and fixed through the holes in the bottom. The adjustment range is ± 10 mm [3/8 inches].



Article number: Kit with 4 stainless steel feet

60.74.500

Securing unit with stainless steel feet

The unit can be fixed to the floor with dowels and screws or by gluing it with a special adhesive.

Unit with castors

The unit is delivered on plastic feet.

CAUTION

The unit rolls away on uneven floors

Risk of crushing and injury from the unit rolling away.

- Apply the parking brake.
- Do not place the unit on uneven floors.

NOTICE

Damage to the connections due to moving

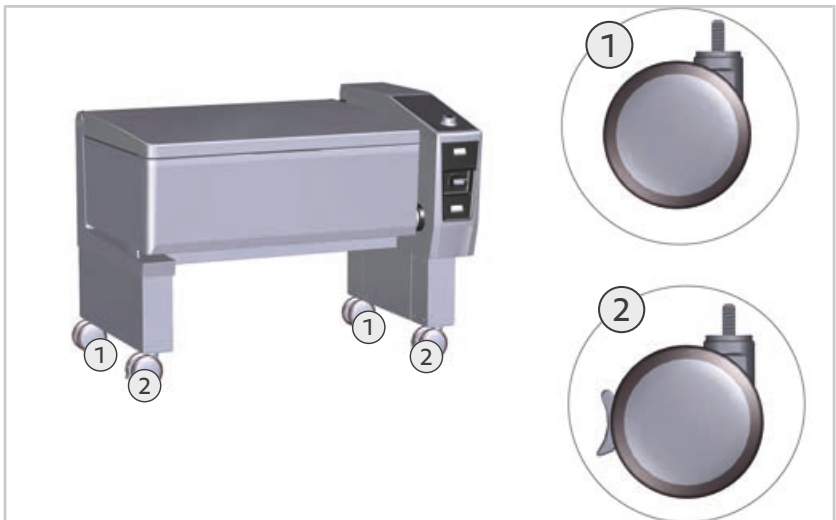
If you move the unit, disconnect all connections.

After the work has been carried out, reconnect them in accordance with the instructions.

When the unit returns to its original position, make sure it is level.

Apply the parking brakes.

- ✓ The castors kit is ready for use.
 - 1. Unscrew the plastic feet on the respective side.
 - 2. Lift the unit on one side at a time.
 - 3. Screw the castor with the parking brake on the front of the unit and the castor without the parking brake on the rear.
- >> The castors are screwed to the unit.



Article number: Kit with 4 castors

60.71.267

Secure the unit with castors against slipping.

NOTICE

Damage to the connections due to moving

Secure the unit additionally with a wall mounting chain to prevent shifting on the rear wall. The wall mounting chain is not included.

1. On the back of the unit there are holes for attaching the chain or the cable.
 2. Mount the chain in the holes on the wall and the unit.
 3. In addition, tighten the parking brakes.
- >> The unit is secured to prevent slipping or rolling away.

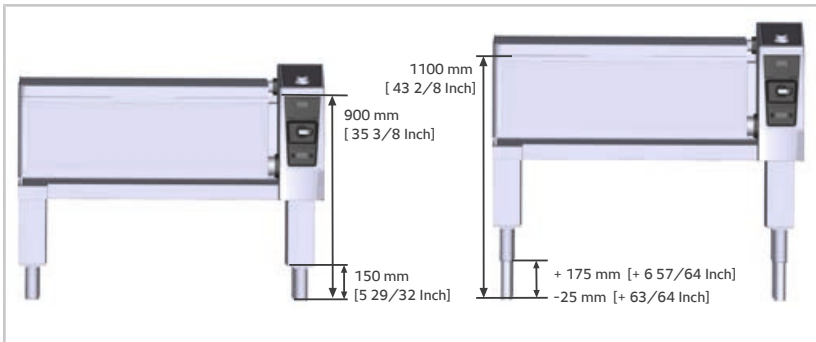
Substructure with height-adjustable feet

The substructure with height-adjustable feet has two motors on each side. The unit feet can be extended in addition to the standard height of 175 mm [6 57/64 inches] and retracted 25 mm [63/64 inches].

NOTICE

Damage to the connections caused by height adjustment

When installing a unit or base frame with height-adjustable feet, make sure that all connections are long enough and can move with the height adjustment.



Base set-up

The unit can be placed on a base without feet.

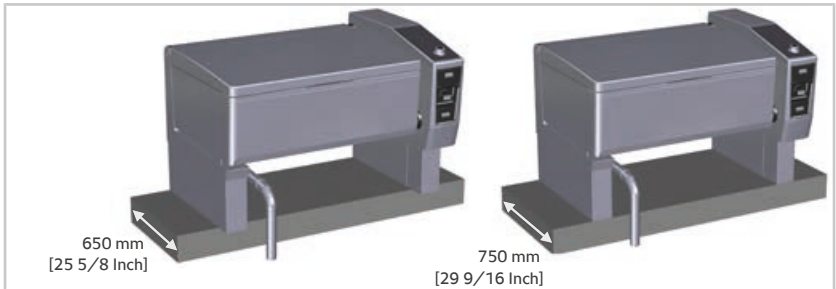
⚠ CAUTION

Risk of crushing by tipping unit

If the base depth is less than 750 mm [29 9/16 inches], the unit may tilt forward.

- Secure the unit to prevent tipping on the base.
- Minimum base depth: 650 mm [25 5/8 inches] (tilt protection required)

- Standard base depth: 750 mm [29 9/16 inches] (without tilt protection possible)



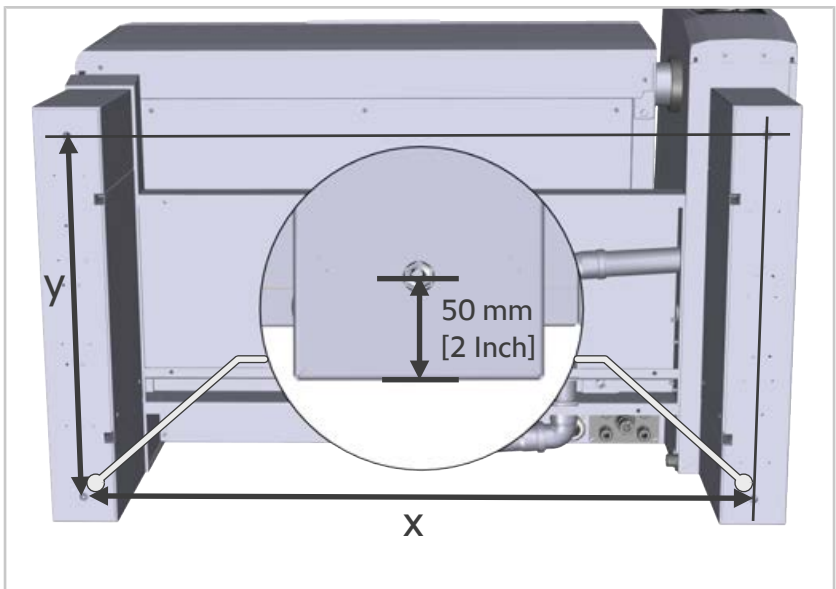
Secure the device against tipping

The following attachment variants are possible:

- Attachment to the base
- Attachment to the wall

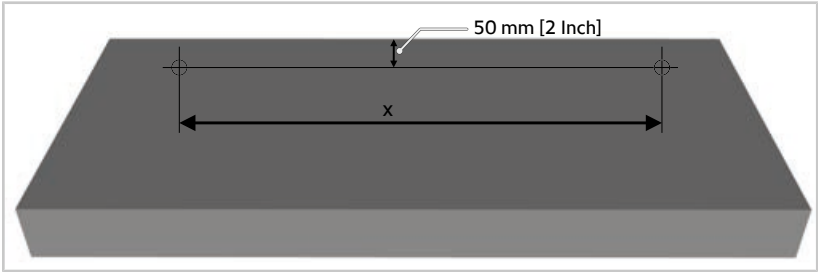
Attachment to the base

Hole distances in the substructure of the unit:

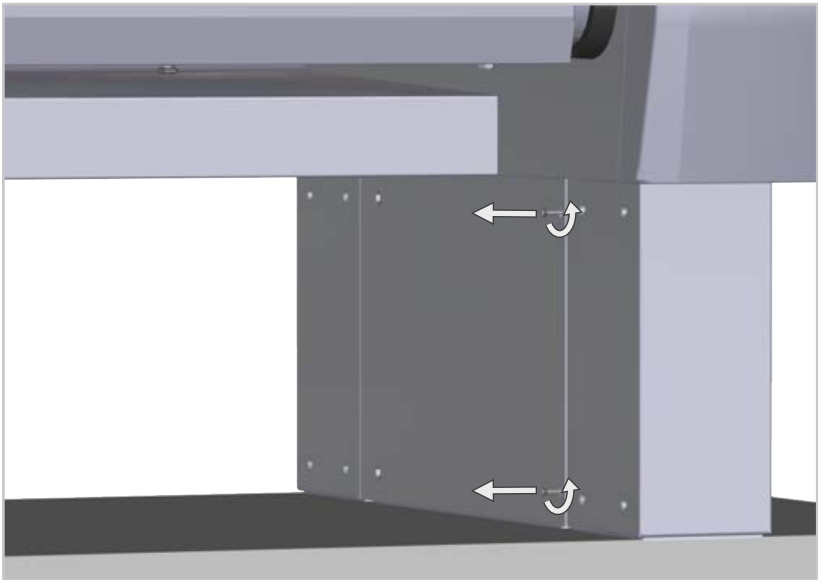


	Width mm [inches] x	Depth mm [inches] y
L	865 [34]	650 [25 5/8]
XL	1199 [47 1/4]	

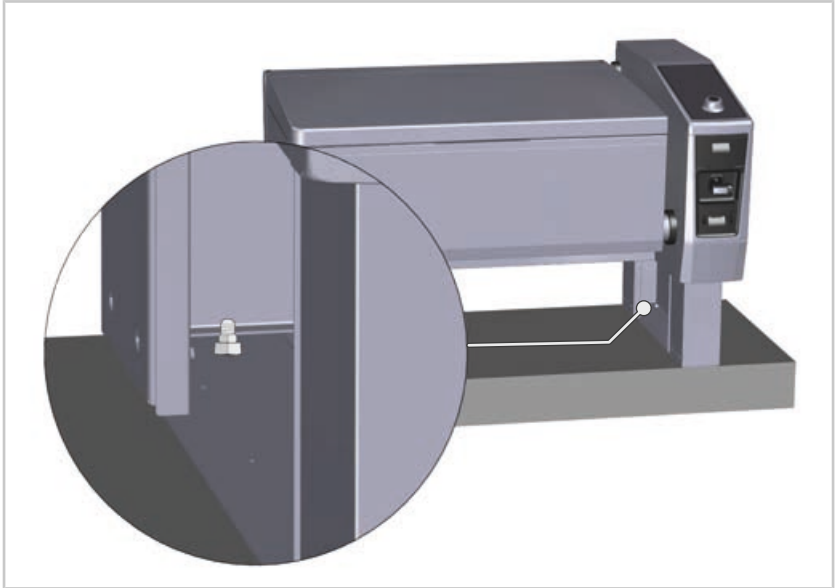
1. Drill 2 holes in the base.



2. To seal the drill holes, use chemical dowels. Please note the instructions of the manufacturer.
3. Place the unit on the base installation.
 - > The holes in the substructure and in the bottom of the base overlap one another.
4. Unscrew the 2 screws and remove the cover of the base on each side.



5. Screw an M8 grub screw into the base on each side. Tighten the grub screw with the corresponding nut.



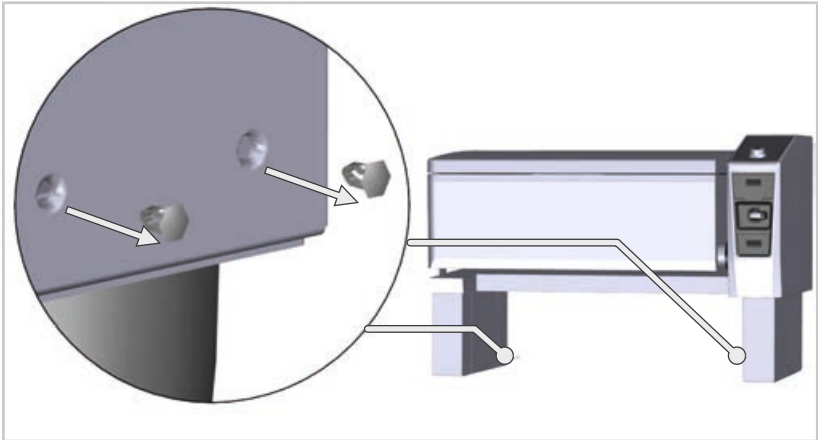
6. Screw the covers on the base again.
>> The panels are screwed on and the unit is attached on the base to prevent tipping.



Attachment to the wall

The unit can be attached to the wall using brackets.

1. Remove the cover caps from the holes in the base on each side.



2. Fasten a bracket in the holes on each side in the base and in the wall.

>> The unit is attached to the wall using brackets to prevent tilting.

RATIONAL AG

Siegfried-Meister-Straße 1
86899 Landsberg am Lech, Germany
Tel. +49 (0)8191 3270
Fax +49 (0)8191 21735
info@rational-online.com
rational-online.com

RATIONAL Wittenheim SAS

4 Rue de la Charente
F-68270 Wittenheim
Tel. +33 389 570 135
Fax. +33 389 570 136
info@rational-online.com
rational-online.com